

1. On back edge of the vertical, dado a groove  $\frac{3}{8}$ " W and  $\frac{3}{8}$ " D the full length of the vertical. This will be used to conceal the wire from the lights to the touch dimmer control. Mount the white extension cord in the groove made in the vertical. The male end goes toward the bottom and the female part goes toward top. Allow about 2" of cord to extend past the top of the vertical.

2. Divide the header in half and draw a line dividing the header into two equal parts. To find the center of each section draw an X diagonally from each corner to the center line as shown. Using a hole saw or a jig saw cut two  $2\frac{3}{8}$ " dia. holes through the header for the LED lights. This will be the placement holes for the lights. Fig. 1.

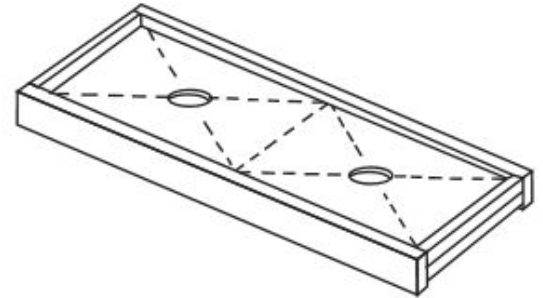


Fig. 1.

3. Place the wires through the opening in the header and mount the light fixture to the header using the screws provided as shown in Fig. 2.

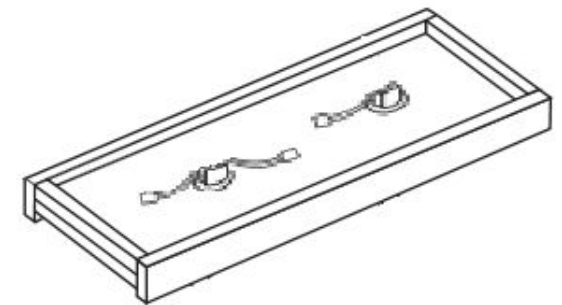


Fig. 2.

**START HERE IF YOU RECEIVED A COMPLETED BED UNIT.**

5. Assemble the bed components.

NOTE: STOP ON STEP 7 WHILE BED IS STILL LYING ON FACE.

6. Mount the control box to the back of the "Frame and face Panel". mount it on the right side which is the side where the white chore is running up the "Cabinet Vertical". Attach with 2-  $1\frac{1}{2}$ " screws. make sure the arrow is facing up.

7. Find the touch sensor wire on the control box (small thin wire). Remove the screw and attach the eye at the end of the cord with the screw to the headboard.. Run the wire in the groove in the headboard and tape it into place with masking or duct tape. (Some applications will have just a screw and no brass knob)

8. Attach the other wires: from the box to the white cord, and from the box to the wall.

Continue to steps 8 and 9 in the book

9. Plug the white cord into the first light. Plug the two lights together.

Continue to step 10 in the book.

