

DIY Murphy Bed

(Horizontal Pre-Cut Version
With Outset Lights)



It's like having your own shop!

Assembly Instructions

Questions call **501.753.9699**

Designed to exceed International ISO 9002
Standards for Residential Specifications

[Step 1: Check Your Components](#)

[Hardware](#)

[Twin Horizontal](#)

[Full Horizontal](#)

[Queen Horizontal](#)

[What we have done for you!](#)

[Step 2: Build the Header](#)

[Lights](#)

[Step 3: Attach the Head Board Stiffener \(I\) to the Head board \(H\).](#)

[Step 3: Finish all components](#)

[Install the Murphy Bed](#)

[Step 4: Mount the Lift Mechanism](#)

[Step 5: Install the springs on the Lift Mechanism](#)

[Step 6: Assemble the Bed Cabinet](#)

[Step 7: Attach Bed Cabinet Securely to Wall](#)

[Step 8: Install the Bed Face Panel Unit](#)

[Step 9: Install Handle = Legs - Mechanism Covers - Mattress](#)

[Complete Bed Assembly](#)

[Light Option](#)

Step 1: Check Your Components

Thank you for your purchase of this DIY Murphy bed. We try to make these projects as easy as possible for you. Take a minute and check your contents.

Hardware

Qty.	Frame Carton Items	Comments	✓
2	Frame End Sections	Identical Head & Foot	<input type="checkbox"/>
2	Frame Side Sections	Identical, Right or Left	<input type="checkbox"/>
3(5)	Stiffeners - Bed Face (King Size)	Space evenly between Frame Sides	<input type="checkbox"/>
2	Fold-away Legs	One Left - One Right	<input type="checkbox"/>
1	Leg Connector Rod	Stabilizes and Eases Leg Operation	<input type="checkbox"/>
Hardware Card #3			
14	Bolt 10-24x1/2" (M6x12mm) Black	Bolt Frame corners	<input type="checkbox"/>
2	Bolt 10-24x1 1/4" (M6 x 32mm) Black	Bolt Leg Stop Foot corners	<input type="checkbox"/>
16	Nut 10-24 (M6) Black Nylock	Use with #1214 & #1213	<input type="checkbox"/>
4	Angle 1"x1"x1 3/4" (25x25x44mm) Black	Use inside Frame corners	<input type="checkbox"/>
2	1/2"x3/4" (13x19mm) Round Black Cylinder	Use with #1213 as Leg Stop	<input type="checkbox"/>
Hardware Card #4			
2	1 1/2"x5/16" (T1.5x40mm) Black Washer	Secure Leg inside Frame	<input type="checkbox"/>
2	1 1/2"x.765" (T2.5x40mm) Black Washer	Secure Leg inside Frame	<input type="checkbox"/>
2	1 1/2"x.765" (T2.5x40mm) Black Nylon Washer	Between Leg & outside of Frame	<input type="checkbox"/>
2	Nut 5/16" (M8) Black Nylock	Secure Leg inside Frame	<input type="checkbox"/>
2	Bolt 1/4"-20 Black Hex Head	Attach Leg to Leg Rod	<input type="checkbox"/>
2	Star Washer for #1210	Attach Leg to Leg Rod	<input type="checkbox"/>
Hardware Card #5			
1	Nylon Web Strap with Buckle	Secure Mattress to Bed Frame	<input type="checkbox"/>
2	3/4"x1/4" (T1.5x25mm) Washer	Secure Nylon Web Strap to Bed Face Panel under Mattress	<input type="checkbox"/>
2	#8x5/8" (M4x15mm) Wood Screw	Secure Nylon Web Strap	<input type="checkbox"/>
Hardware Card #7 - King size includes 2 bags			
110	#8x5/8" (M4x15mm) Wood Screw	Attach Steel Bed Frame to Bed Face	<input type="checkbox"/>

Qty.	Mechanism Carton Items	Comments	
1	Lift Mechanism - Right Side	Attach to Right Side Panel	<input type="checkbox"/>
1	Lift Mechanism - Left Side	Attach to Left Side Panel	<input type="checkbox"/>
2	#1 Bags containing 9 Springs each	Install correct number in each Mechanism	<input type="checkbox"/>
1	13" Plastic Pipe	Used to set the Lift Mechanisms	<input type="checkbox"/>
Hardware Card #2			
10	Machine Screw 5/16-18 x 1 1/4"	To attach Lift Mechanisms to Side Panels	<input type="checkbox"/>
4	Hex Head Bolt 5/16-18 x 1"	Attach Mechanism to Frame Side section	<input type="checkbox"/>
2	Allen Head Bolt 5/16-18 x 1"	Position Mechanism Arm on Frame Side section	<input type="checkbox"/>
16	Hex Head Nylock Nut	Secure Bolts and Screws	<input type="checkbox"/>
1	Allen Wrench 5/16"	For Allen Head bolts	<input type="checkbox"/>

Twin Horizontal

Overall Cabinet Dimensions

Mattress Size: 39" x 75" (12" Max Thickness) 49 3/4"h x 80"w x 16"d Projection 49"

Qty.	Description	Width	Length	<input checked="" type="checkbox"/>
4	(A) Bed Face Panels	39"	41 3/4"	
2	(B) Side Panels	16"	64"	
1	(C) Top Panel	20 1/4"	80"	
1	(D) Top Facia	2 3/4"	80"	
1	Header Side Facia	2"	4 1/4"	
1	(F-2) Bottom Rear Stiffener	4"	78 1/2"	
1	(G) Kick & Kick Stiffener (1 1/2" thick)	4"	78 1/2"	
1	(H) Head Board	14 1/2"	78 1/2"	
1	(I) Head board Stiffener	4"	78 1/2"	
1	(J) Panel Connectors	3"	52"	
2	Front/Back Mounting Cleats	1"	77 1/2"	
2	Header Side Cleats	1	18 3/4"	
1	Light Panel	20 18"	78 7/8"	
4	1 1/2" screws for Light Cleats			
20	1 1/2" screws for Light Cleats			
	Light Kit			
10	1 1/2" Pocket screws (Top Install)			
40	1 1/4" finish nails (Top Build)(Headboard Build)			
8	Brackets (with 32 - 3/4" screws)			
8	1 1/2" screws to attach light Panel (Install)			
4	Hardwood Dowels (Headboard Installation)			
8	1 1/2" Pocket Screws (Headboard Install)			

Full Horizontal

Overall Cabinet Dimensions

Mattress Size: 60" x 80" (12" Max Thickness) 64 3/4"h x 80"w x 16"d Projection 64"

Qty.	Description	Width	Length	<input checked="" type="checkbox"/>
4	(A) Bed Face Panels	39"	56 3/4"	
2	(B) Side Panels	16"	64"	
1	(C) Top Panel	20 1/4"	80"	
1	(D) Top Facia	2 3/4"	80"	
1	Header Side Facia	2"	4 1/4"	
1	(F-2) Bottom Rear Stiffener	4"	78 1/2"	
1	(G) Kick & Kick Stiffener (1 1/2" thick)	4"	78 1/2"	
1	(H) Head Board	14 1/2"	78 1/2"	
1	(I) Head board Stiffener	4"	78 1/2"	
1	(J) Panel Connectors	3"	52"	
2	Front/Back Mounting Cleats	1"	77 1/2"	
2	Header Side Cleats	1	18 3/4"	
1	Light Panel	20 18"	78 7/8"	
4	1 1/2" screws for Light Cleats			
20	1 1/2" screws for Light Cleats			
	Light Kit			
10	1 1/2" Pocket screws (Top Install)			
40	1 1/4" finish nails (Top Build)(Headboard Build)			
8	Brackets (with 32 - 3/4" screws)			
8	1 1/2" screws to attach light Panel (Install)			
4	Hardwood Dowels (Headboard Installation)			
8	1 1/2" Pocket Screws (Headboard Install)			

Queen Horizontal

Overall Cabinet Dimensions

Mattress Size: 60" x 80" (12" Max Thickness) 70 3/4"h x 85"w x 16"d Projection 70"

Qty.	Description	Width	Length	<input checked="" type="checkbox"/>
4	(A) Bed Face Panels	41 1/2"	62 3/4"	
2	(B) Side Panels	16"	70"	
1	(C) Top Panel	20 1/4"	85"	
1	(D) Top Facia	2 3/4"	85"	
1	Header Side Facia	2"	4 1/4"	
1	(F-2) Bottom Rear Stiffener	4"	83 1/2"	
1	(G) Kick & Kick Stiffener (1 1/2" thick)	4"	83 1/2"	
1	(H) Head Board	14 1/2"	83 1/2"	
1	(I) Head board Stiffener	4"	83 1/2"	
1	(J) Panel Connectors	3"	58"	
2	Front/Back Mounting Cleats	1"	82 1/2"	
2	Header Side Cleats	1	18 3/4"	
1	Light Panel	20 1/8"	83 3/8"	
4	1 1/2" screws for Light Cleats			
20	1 1/2" screws for Light Cleats			
	Light Kit			
10	1 1/2" Pocket screws (Top Install)			
40	1 1/4" finish nails (Top Build)(Headboard Build)			
8	Brackets (with 32 - 3/4" screws)			
8	1 1/2" screws to attach light Panel (Install)			
4	Hardwood Dowels (Headboard Installation)			
8	1 1/2" Pocket Screws (Headboard Install)			

What we have done for you!

- 4-(A) Bed Face Panels
 - Cut to width and length
 - Edge band edges
 - Broke over edges
 - Sanded with to 220 grit (prep for finish)
- 2-(B) Verticals
 - Cut to width and length
 - Edge band edges (Front and top)
 - Bore the 5 holes on each for mechanism
 - Countersink each hole
 - Bore hole for dowels to locate headboard.
 - Broke over edges
 - Sanded with to 220 grit (prep for finish)
- (C) Top Panel
 - Cut to width and length
 - Edge band edges
 - Broke over edges
 - Sanded with to 220 grit (prep for finish)
- (D) Top Facia
 - Cut to width and length
 - Edge band edges
 - Broke over edges
 - Sanded with to 220 grit (prep for finish)
- (E) Top Facia Stiffener
 - Cut to width and length
 - Edge band edges
 - Broke over edges
 - Sanded with to 220 grit (prep for finish)
 - Pocket one pocket hole in each end for installation step.
- (F-1) Top Rear Stiffener
 - Cut to width and length
 - Edge band edges
 - Broke over edges
 - Sanded with to 220 grit (prep for finish)
 - Pocket two pockets in each end for installation step.
- (F-2) Bottom Rear Stiffener
 - Cut to width and length
 - Edge band edges
 - Broke over edges
 - Sanded with to 220 grit (prep for finish)
- (G) Kick & Kick Stiffener (1 ½" thick)
 - Cut to width and length (2 pcs.)
 - Double it up to make 1 ½" thick.
 - Edge band edges
 - Broke over edges
 - Sanded with to 220 grit (prep for finish)

- (H) Head Board
 - Cut to width and length
 - Edge band edges
 - Bore holes for dowels
 - Pocket two pocket holes in each end for install step.
 - Broke over edges
 - Sanded with to 220 grit (prep for finish)
- (I) Head board Stiffener
 - Cut to width and length
 - Broke over edges
 - Sanded with to 220 grit (prep for finish)
 - Pocket two holes in each end for installation step.
- (J) Panel Connector
 - Cut to width and length
 - Drill double row series of holes.
 - Broke over edges
 - Sanded with to 220 grit (prep for finish)
- (K) Top Cleats
 - Cut to width and length
 - Broke over edges
 - Drilled holes to mount to header and for installation step.

Step 2: Build the Header

Using the (C) Top Panel, (D) Top Facia, Header Side Facia, Front/Back Mounting Cleats, Header Side Cleats and Light Panel assemble the Header.

2-1 Attach the Top Side Facia to the Top Panel with glue and 1 ¼" finish nails. Make sure the banded edge of the Header Side Facia is down and flush with the banded (front) edge of the Top Panel (see figure 2-1)

Repeat for the other Top Side Facia.

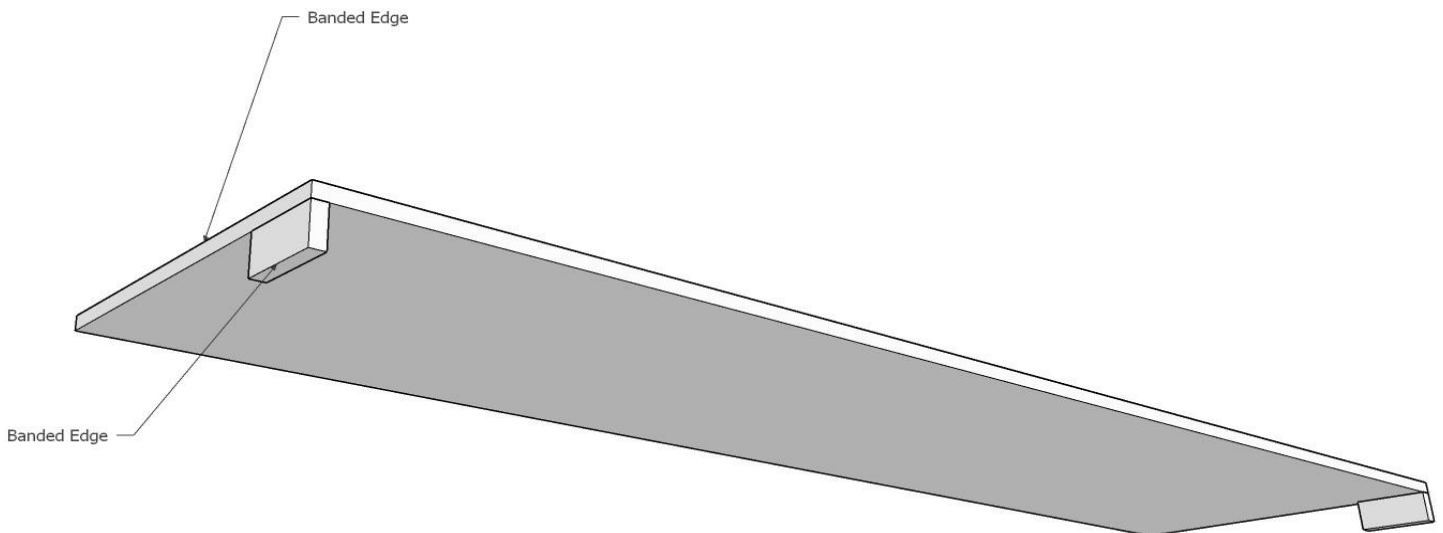


Figure 2-1

2-2 Attach the Top Facia to the Top Panel with glue and 1 ¼" nails. See figure 2-2.

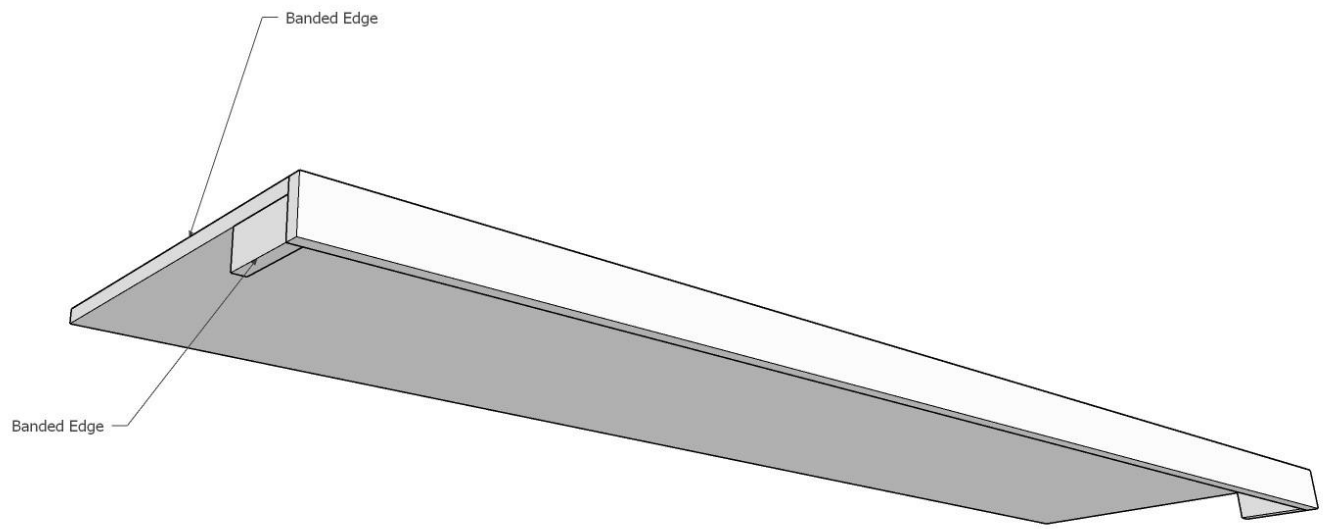


Figure 2-2

2-3 Attach the Header Side Cleats, through the one inch side (1" up and down) using glue and 1 ½" screws provided. Repeat for the other side.

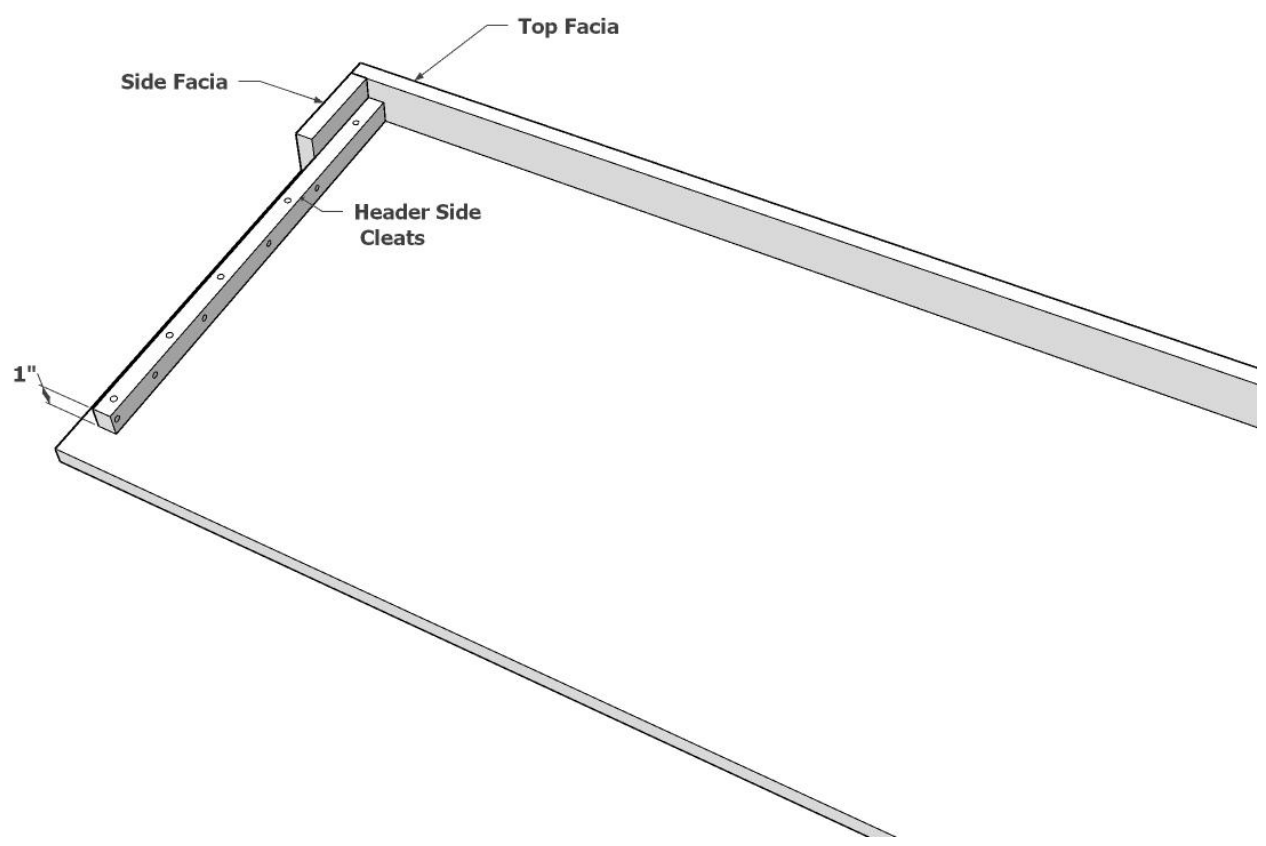


Figure 2-3

2-4 Add the Front/Back Mounting Cleats using glue and 1 1/2" screws provided. They should be flush against the Top Facia and against the Side Facia and 3/4" off the edge of the Top Panel. NOTE: there will be a gap at the back.

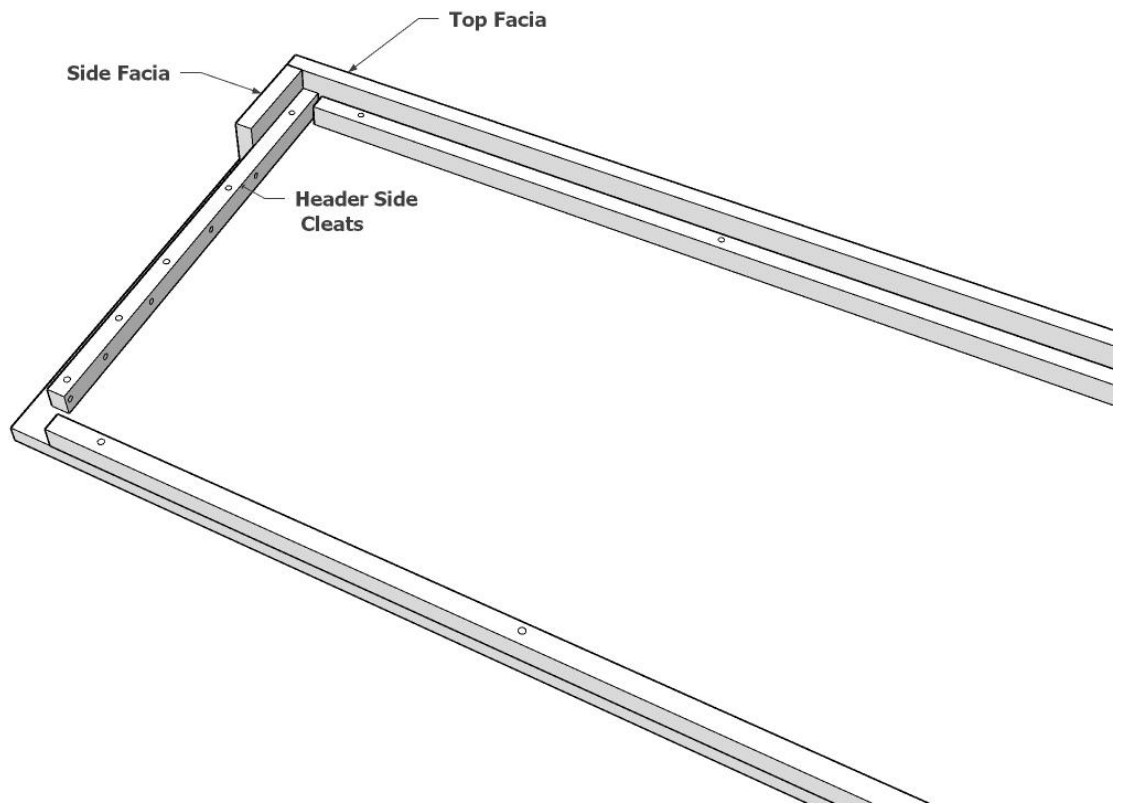
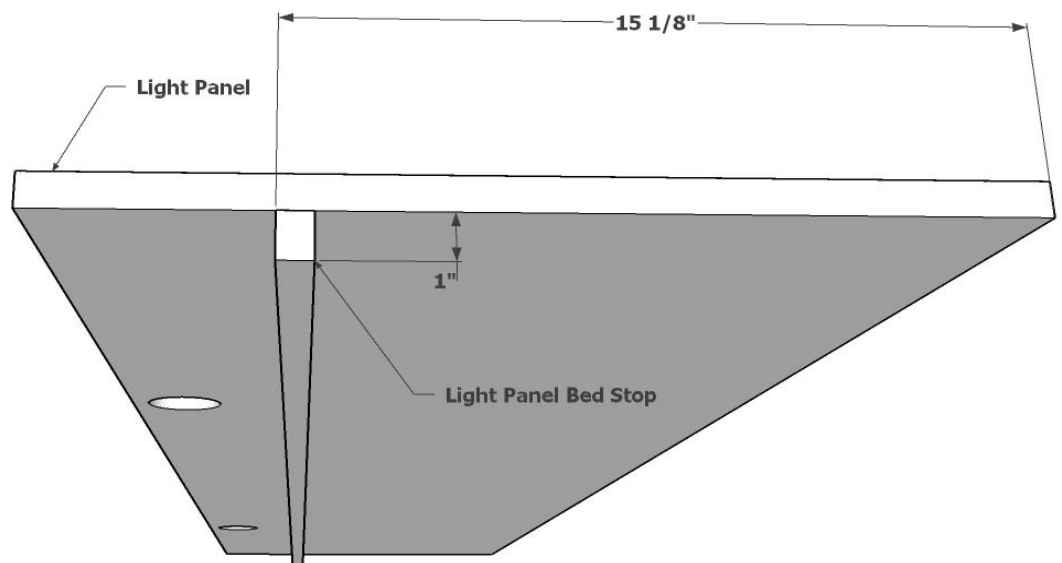


Figure 2-3

2-5 Build the Light Panel. Add the Bed Stop to the Light Panel using 1 1/2" screws provided. No glue is needed on this step. Make a mark 15 1/8" from the back. Attach the front of the Bed stop to that line.



Lights

Modifications that were made for this bed

- Groove was cut in the back of the Left Side Panel (B).
- Pocket was cut at the top/back/inside of that same Left Side Panel (B)

If you have lights you have the following extra pieces

2 - 6" x 1" Cleats

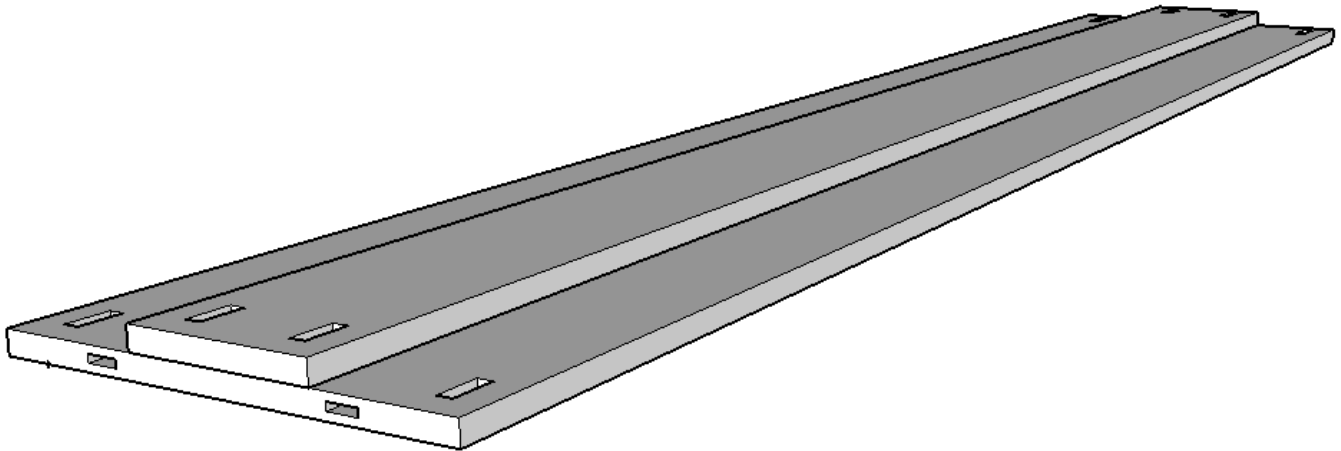
1 - 83 $\frac{3}{8}$ " x 13 $\frac{5}{8}$ " Queen (78 $\frac{3}{8}$ " x 13 $\frac{5}{8}$ " twin or full) Light Panel

All your lights, control box and wiring.

Your header is now complete!

Step 3: Attach the Head Board Stiffener (I) to the Head board (H).

3-1 Center the Head Board Stiffener on the back side of the Head Board. Glue and nail it down using 1 $\frac{1}{4}$ " nails. Note: Some applications may have all pockets on the Head Board panel. See Figure 3-1



Step 3: Finish all components

-Finish both sides of all components.

Tip: By placing pieces like the verticals, headboard and header on legs made from scrap material, you can finish both sides at the same time and save time flipping.

Install the Murphy Bed

Step 4: Mount the Lift Mechanism

4-1: The left and right mechanism hole pattern will line up with the hole pattern on the Side Panel (B). The bolts will be fed through the side that has the counter sinks drilled.

4-2 Hole A will not have a standard nut. It is either a threaded hole or it will use a disk like bolt "Arm Lock Stop". Get Hole A started.

4-3 Insert the bolt in the other holes and loosely tighten onto the nuts.

4-4 Once all are in place securely tighten using the Allen Wrench provided and a $\frac{1}{2}$ " wrench.

Step 5: Install the springs on the Lift Mechanism

SPRING APPLICATION CHART

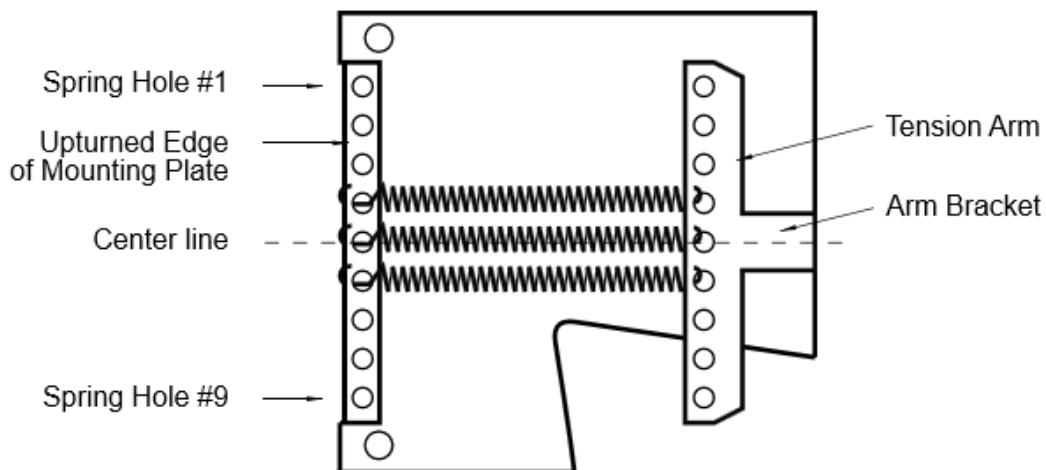
Please Note: These are recommendations only. Actual number of springs required will depend on the total weight of the bed face unit including the mattress and all bedding

BED SIZE	STANDARD FACE (NO DESK)	STANDARD FACE (ADDED DESK)
Single/Twin	4 Springs Vertical (3 Horizontal)	5 Springs Vertical (4 Horizontal)
Double/Full	5 Springs Vertical (4 Horizontal)	6 Springs Vertical (5 Horizontal)
Queen	6 Springs Vertical (5 Horizontal)	7 Springs Vertical (6 Horizontal)
King	8 Springs Vertical	9 Springs Vertical

After you have completed installing and checking the operation of your bed, you may find it necessary to add or remove springs to achieve the correct lift effort of between 5 to 10 pounds.

There are nine locations for springs. If the bed requires an even number of springs, do not use the center hole (#5 from the top). If the bed requires an odd number of springs, start with the center hole (#5 from the top) and work outward in both directions evenly.

Hook the springs so the open ends are facing outward. You may have to gently pry up the tension arm and slide the spring under and snap them into place in the proper hole, matching the same numbered hole from the top of the mechanism back plate. You should have an equal number of springs on each side of the center hole. Use the same number of springs and the same layout on both the left and right mechanisms.



Step 6: Assemble the Bed Cabinet

- If possible, the Bed Cabinet should be assembled in the room where it will be used.
- The following installation will be done with the bed face down on the floor.

Place the verticals finished edge down and dowel holes toward the inside on a clean floor. You may even lay a soft blanket down to protect the finish from being scratched.

Headboard installation

6-1: Insert the headboard dowels into the ends of the headboard (two on each side). No need to measure we've taken that step out of you. With the pocket screw holes facing toward the back, insert the headboard dowels into the side of the verticals. Secure with 1 ½" screws (4 each side).

6-2: Use Angle Brackets to assemble Bottom Rear Stiffener and Bottom Kick & Kick Stiffener in position shown in Figure 6-1 and Figure 6-2. Use two Angle Brackets on each end. Attaching using supplied ¾" screws.

NOTE: The Bottom Rear Stiffener can be moved closer to the front if there is a cutout for base molding on the back of the verticals.

IF LIGHTS Run the wiring up the Left Side Panel. Leave about 6" of cord on the top of female end of the black cord with the tilt switch. Lightly tap the cord in the groove with a hammer.

6-3: Attach header as shown in Figure 6-2. Be sure back edge of the header is flush with Front and top of Side Panels. Attach with 1 ½" supplied screws.

6-4: Put 1 ½" screws in the pockets that are in the Top Rear stiffener and the Top Facia Stiffener.

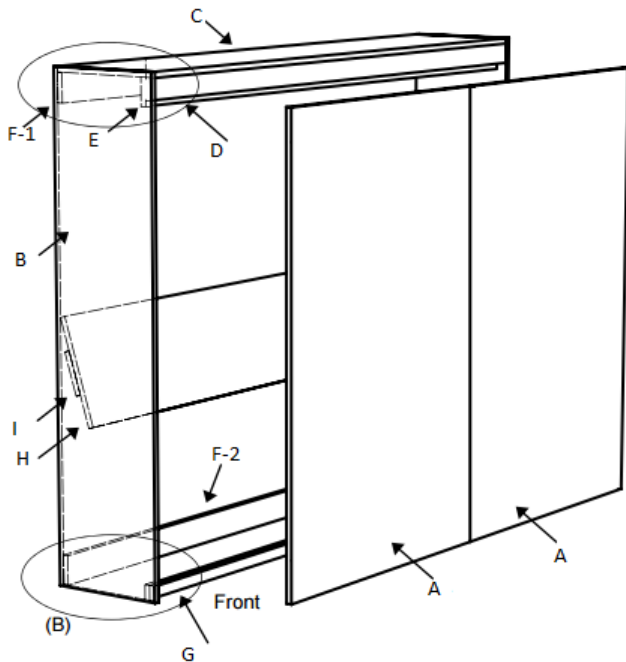


Figure 6-1 **Brackets not shown in the drawing**

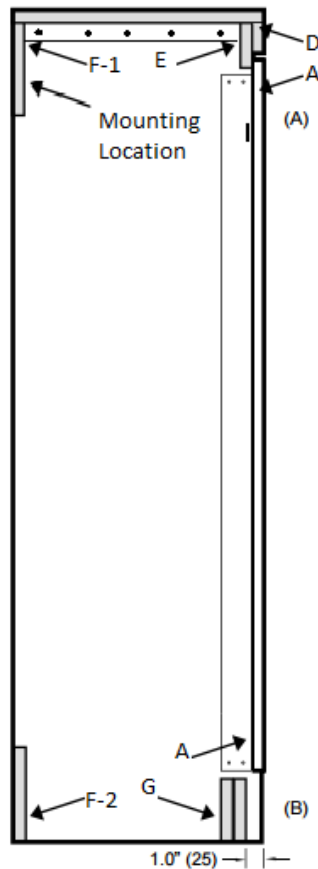


Figure 6-2

IF LIGHTS | After the header is installed add the lights to the Light Bar. You may have to unplug them from each other to get them in the cutouts. With the plug side to the left plug the lights into the Black Cord installed in the vertical. Continue pushing the light bar into place on the underside of the Header. Screw into place with 1-1/2" screws provided. Careful not to pinch any wires.

Step 7: Attach Bed Cabinet Securely to Wall

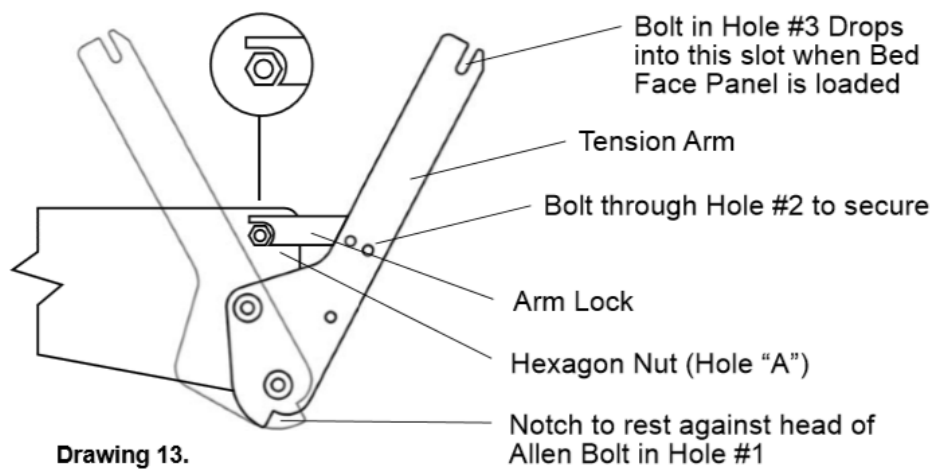
We cut out for your base molding so you don't have to remove base molding off the wall. If our cutout was not large enough more may need to be done. Use a jig saw to perform this task.

7-1: Find Studs

Prior to placing cabinet against the wall, locate 3 studs or other wall frame members at the level of the Top Panel (top of bed). Alert: The cabinet must be secured to studs or other wall structural members. If the wall is not a wood stud wall, use metal stud screws, toggle bolts or concrete expansion bolts if necessary.

7-2: Attach to wall

Now that the cabinet is square and plumb, **pre-drill hole in the Top Rear Stiffener at the stud location Secure with 3" screws. Repeat this for two other stud locations.** (see Drawing 9. but instead of brackets you'll drill through the back board on the header). See figure 6-2.



Holding one foot against the bottom front edge of the side panel and using the 13" (330mm) PVC tube, lever the tension arm out until you can set the arm lock to the hex nut at the hole A (see drawing 13.). This is the hex nut at the top front corner of the mechanism.

Tip: If you set the "Arm Lock" on top of the bolt before you pull the Tension Arm back it will fall into place. Do not put your fingers back there while pulling it back.!

Caution: If possible have a helper assist in the setting of the mechanism and loading of the bed face panel. DO NOT reach behind the tension arm when you are doing the setting procedure.

Step 8: Install the Bed Face Panel Unit

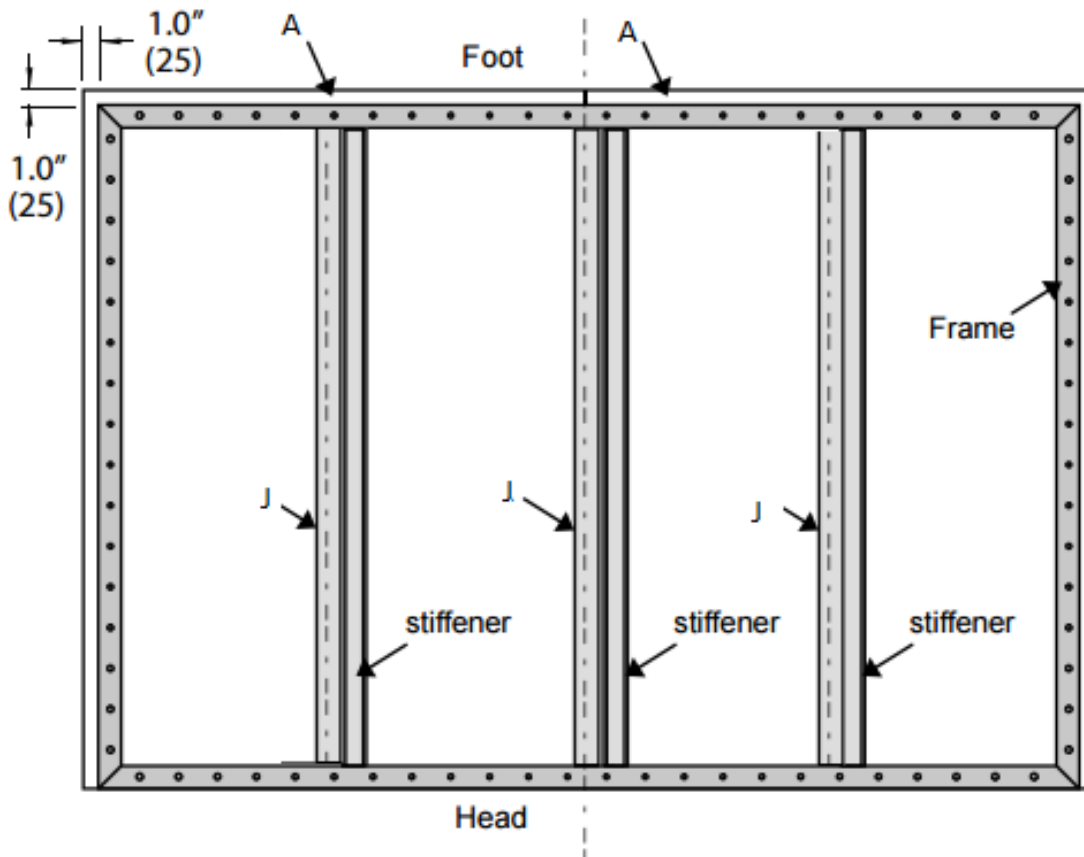


Figure 8-1

8-1 Lay the Bed Face Panels down on a non-scratch surface such as a carpet or blanket.

8-2: Completely assemble the 4 Frame Sections with the corner brackets and the 3/16"x1/2" (M5x12mm) black bolts provided. Refer to Drawing 17 below to properly place the leg stops at outer right and left bottom holes at the foot of the bed frame.

8-3: Position the bed frame on the bed face panels. With the Head Frame section flush with the head end of the Bed Face Panels. Refer to Figure 8-1. Carefully attach the Bed Frame so it is centered on the Bed Face Panels; you will have approximately 1" (25mm) space from the bed frame to the panel edges right and left and at the bed foot.

Note: It is very important to have the Bed Frame centered on the Bed Face Panels.

Any error will be noticed in the vertical sight lines when the bed is closed.

8-4: Three steel stiffeners are provided for all beds (5 for King). These notched stiffeners should be located and attached to divide the Bed Face length into four Sections. Locate them approximately 1 1/2" from the seam of each pane. This will leave room for the Panel Connectors (J). Use caution not to damage raised panels by putting screws in recessed areas.

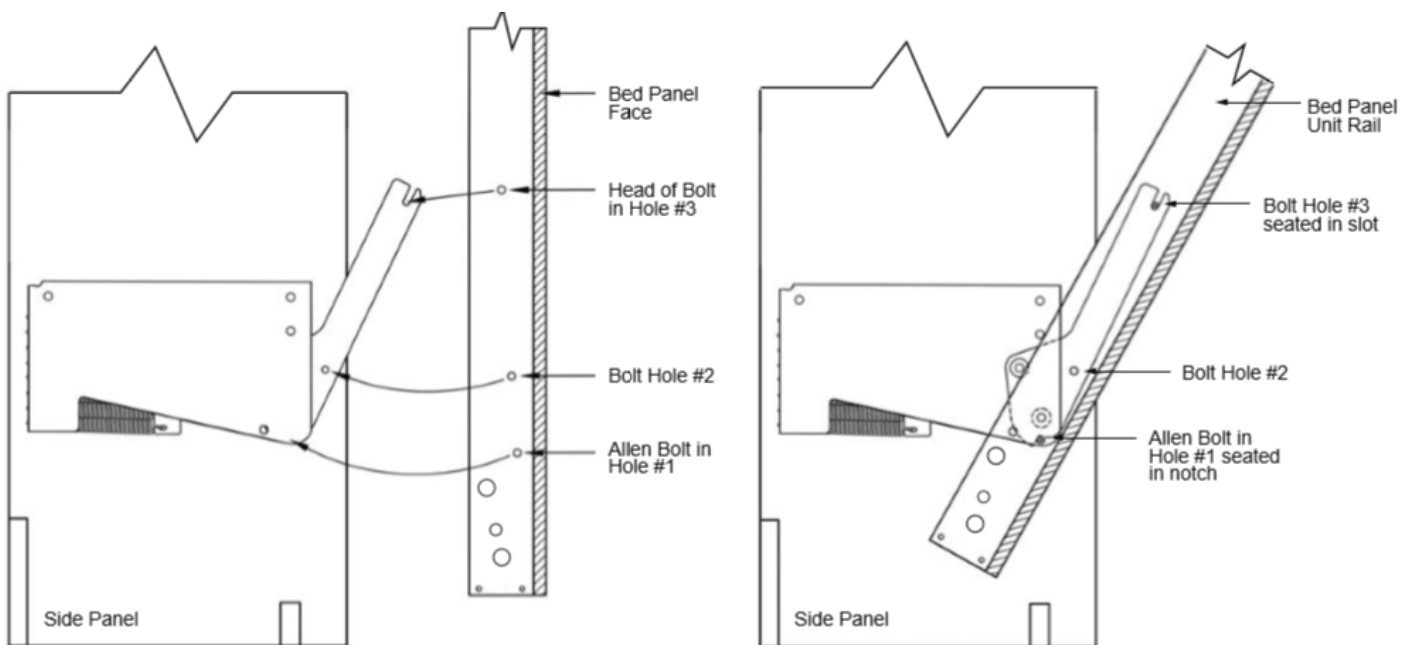
8-5: Attach the Panel Connectors (J) to support the seams. They should fit against the stiffeners installed in step 7-4.

8-6: Attach the Nylon Web Strap approximately 18" (460mm) down from the foot of the bed and 6" (150mm) in from the sides, for tucking in sheets. The Straps help secure the mattress in the vertical position (see drawing above)

8-8: From hardware card 2, insert a Allen Head Bolts through Hole #1 (6 3/4" from end of side frame) on both left and right side frames (see Drawing 14).

8-8 Also Inserted two 5/16" (M8x20mm) Hex Head Bolts from the outside of the frame through Hole #3. We have left these loose.

8-9 Stand the Bed Face Panel in vertical position between the tension arms, lift evenly until the bolt in Hole #3 drops in the slotted end of each tension arm. Gently tilt the bed face toward you until the Allen Bolts in Hole #1 are completely seated in the bottom notch of the tension arms. Insert the remaining 5/16" (8mm) Hex Head Bolts through tension arms into Holes #2 and fasten with 5/16" (8mm) Nylock Nuts; securely tighten these and the nuts on Hole #3.



Drawing 14.

Drawing 15.

8-10 When all bolts are securely tightened, you may tilt the panel outward to approximately 45 degrees to release the arm locks. You will hear a click as they disengage.

Caution:

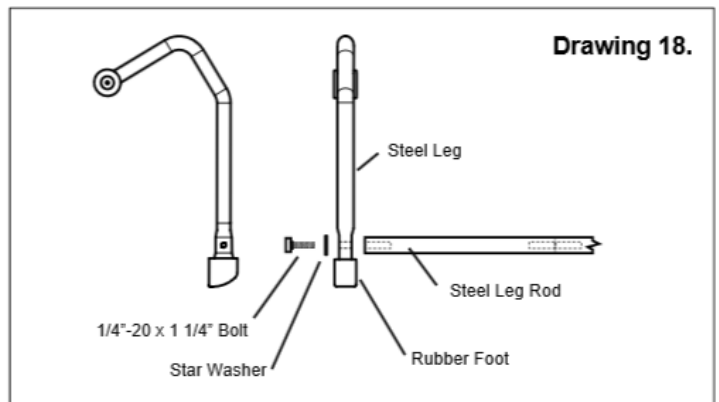
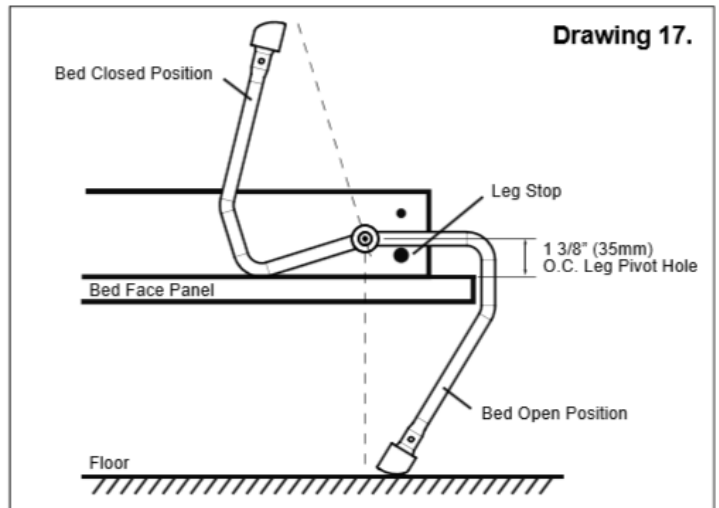
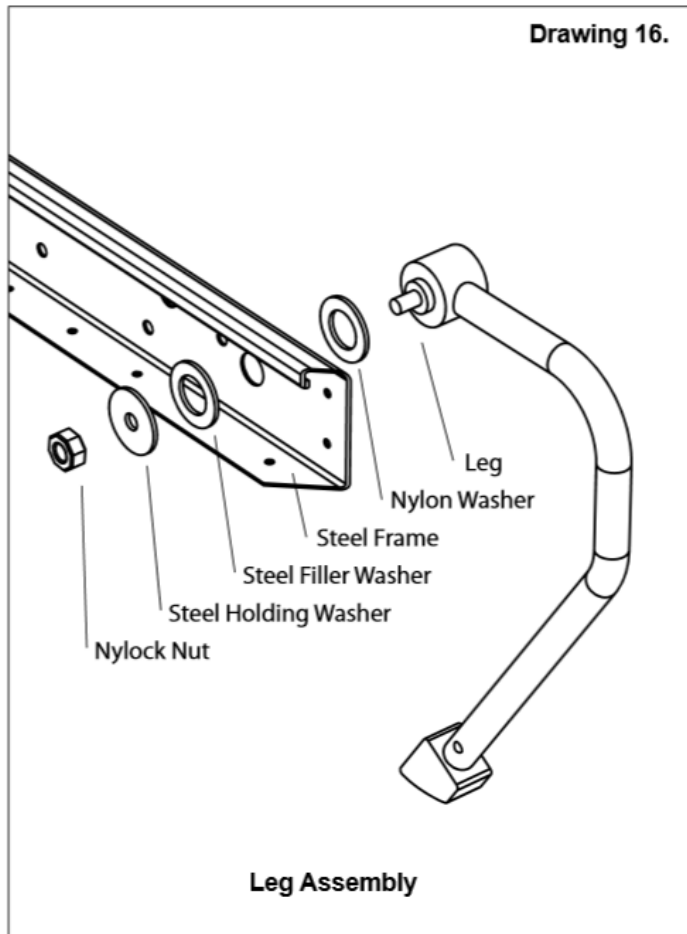
Hold the Face Panel securely, Do Not let it slam shut. Balance is not achieved until the mattress is loaded in the bed.

Leveling of the bed cabinet is essential. Check the level both side to side and front to back. Proper leveling will facilitate proper closure and exact sight lines of the fit of the Face Panel to the Cabinet.

Step 9: Install Handle = Legs - Mechanism Covers - Mattress

9-1 Position and secure handles for ease of operation. Measure down approximately 36" (914mm) from the panel top to the top of the handles.

9-2 Install legs with the washers on the inside of the Rails and the Nylon washer on the outside. Tighten nut to have a small amount of friction when leg assembly is rotated from the up to down position.



9-3 Install leg connector rod between legs and secure with 1/4"x1 1/4" (M4x32mm) Hex head bolts and star washers. Be sure they are securely tightened so not to become loose.

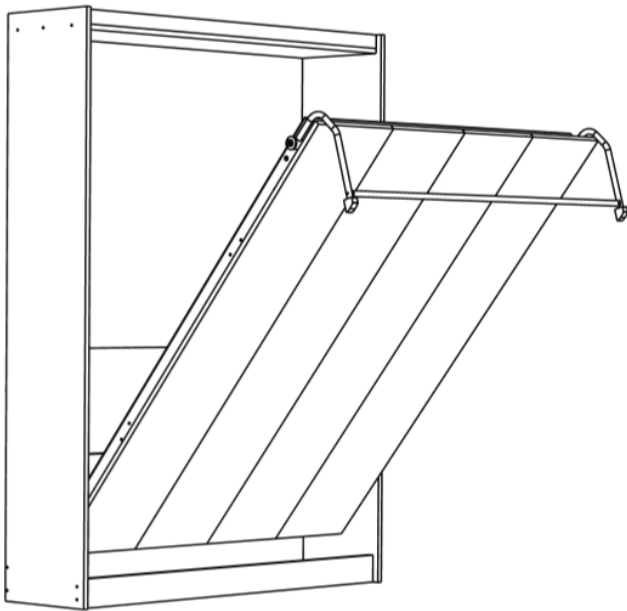
9-4 Install the mattress and secure with previously installed Nylon Straps.

9-5 Snap the powder coated steel mechanism covers in place - secure with #8x1 1/4" (M4x32mm) black wood screws through the standoff on the backer plate

Complete Bed Assembly

Follow up to Initial Assembly

Check that the Bed Cabinet is level and square so the Bed Face has equal clearance of the Cabinet on both sides, top to bottom. If the Cabinet is leaning to one side, nudge it at the floor level. If the top is uneven, place shims under the Side Panels. If bed is too heavy to operate easily or slams shut, remove the Bed Face Panel and add or subtract springs. At this time, you may decide to use one more or less spring(s) on the left or right side Lift Mechanism. *Vertical example is shown but applies the horizontal unit as well.*



Right Side
Looking through Side Panel.

Light Option

If you have light options you'll have the following extra parts:

- Touch Plate
 - (2) ¾" screws for plate
- Control Box
 - (2) 2" screws for Control Box
- Extension Cord
- (2) LED Lights
 - Lights should be connected with a connector wire and the mail plug on one end.

Modifications that were made for this bed

- Groove was cut in the back of the Left Side Panel (B).
- Pocket was cut at the top/back/inside of that same Left Side Panel (B)

Step L-1

After Step 2-4 Add the extra 2" x 13-13/16" cleats to the underside of the header. These will be placed center one in the front and one in the back and mounted (4) 1-½" screws. The front one will go against the Top Face Stiffener and the screw will run into the Top Panel. The back cleat will go against the Top Rear Stiffener and the screws will run into the Top Panel.

Before Step 6-3 (mounting the header) run the wiring up the Left Side Panel. Leave about 6" of cord on the top of female end of the black cord with the tilt switch. Lightly tap the cord in the groove with a hammer.

Continue with step 6-4 with the header.

After the header is installed add the lights to the Light Bar. You may have to unplug them from each other to get them in the cutouts. With the plug side to the left plug the lights into the Black Cord installed in the vertical. Continue pushing the light bar into place on the underside of the Header. Screw into place with 1-½" screws provided. Careful not to pinch any wires.

Office Use only

Steps

- Cut parts on CNC

Qty.	Description	Banding	Other	<input checked="" type="checkbox"/>
4	(A) Bed Face Panels	Two adjacent edges. Opposite on each panel.		
2	(B) Side Panels	B1 Front	Cut cord dado, countersink screw holes	
1	(C) Top Panel	Two short edges		
1	(D) Top Facia	B3 One lone and both short		
1	Header Side Facia	Rip down to 2". Hand band one long edge		
1	(F-2) Bottom Rear Stiffener	B1 long edge		
1	(G) Kick & Kick Stiffener (1 ½" thick)	Nail the two together. Hand band lone edge		
1	(H) Head Board	Band one edge	Cut dominos and pockets	
1	(I) Head board Stiffener	NB		
1	(J) Panel Connectors	NB	Drill a double row every five inches	
2	Front/Back Mounting Cleats		Drill 5 holes through the 1" side. Starting about 1' from edge and evenly spaced.	
2	Header Side Cleats		Drill 5 holes in each direction. Counter sink the 1" side.	
1	Light Panel	NB		
4	1 ½" screws for Light Cleats			
20	1 ½" screws for Light Cleats			
	Light Kit		No tilt switch for outset lights.	
10	1 ½" Pocket screws (Top Install)			
40	1 ¼" finish nails (Top Build)(Headboard Build)			
8	Brackets (with 32 - ¾" screws)			
8	1 ½" screws to attach light Panel (Install			
4	Hardwood Dowels (Headboard Installation)			

